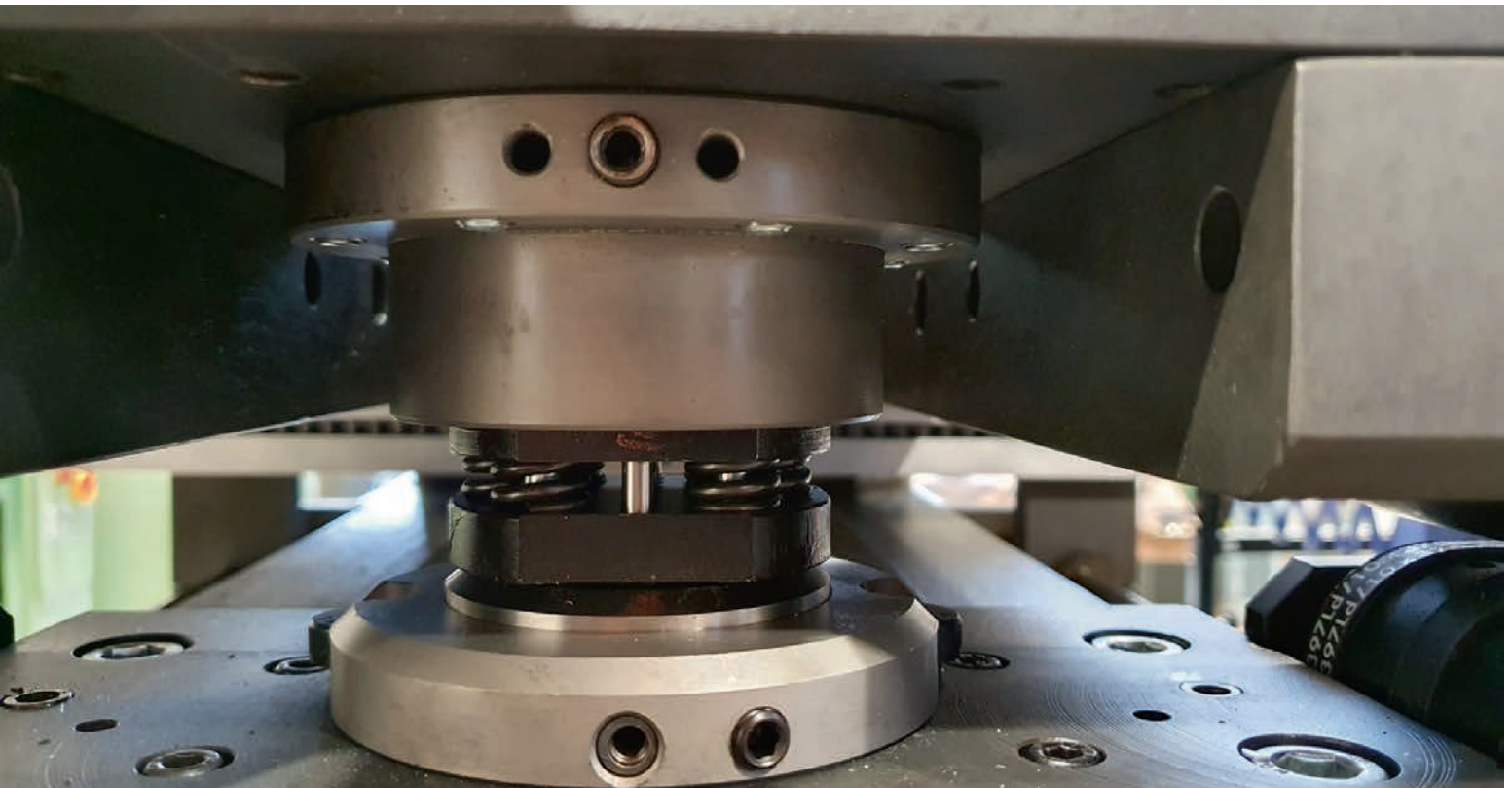




AXECO

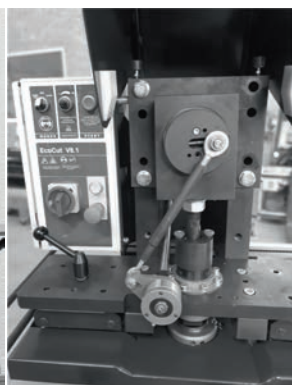
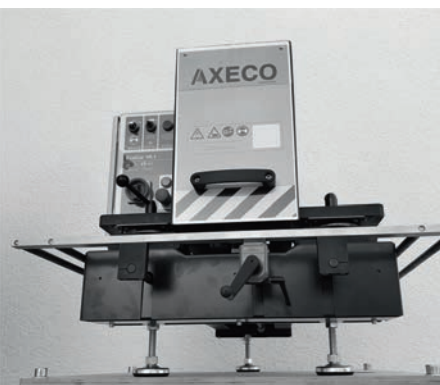
**EcoCut
V8**



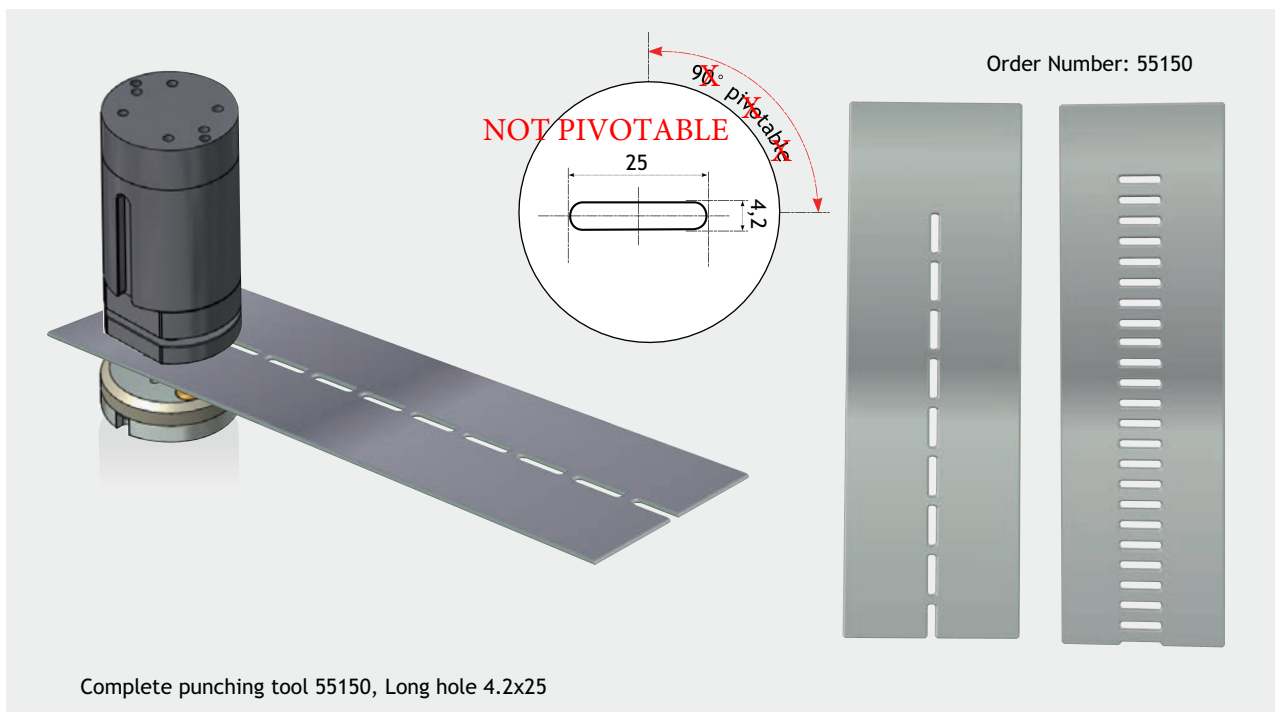
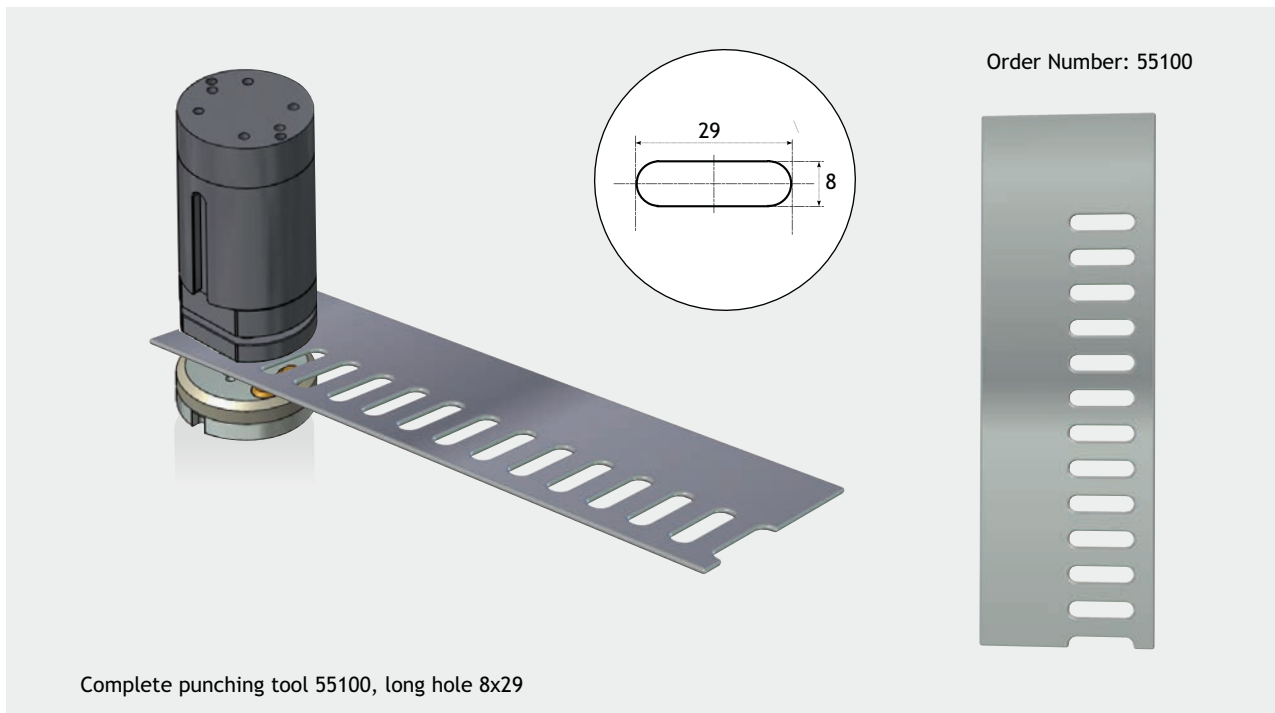


STANDARD TOOLS

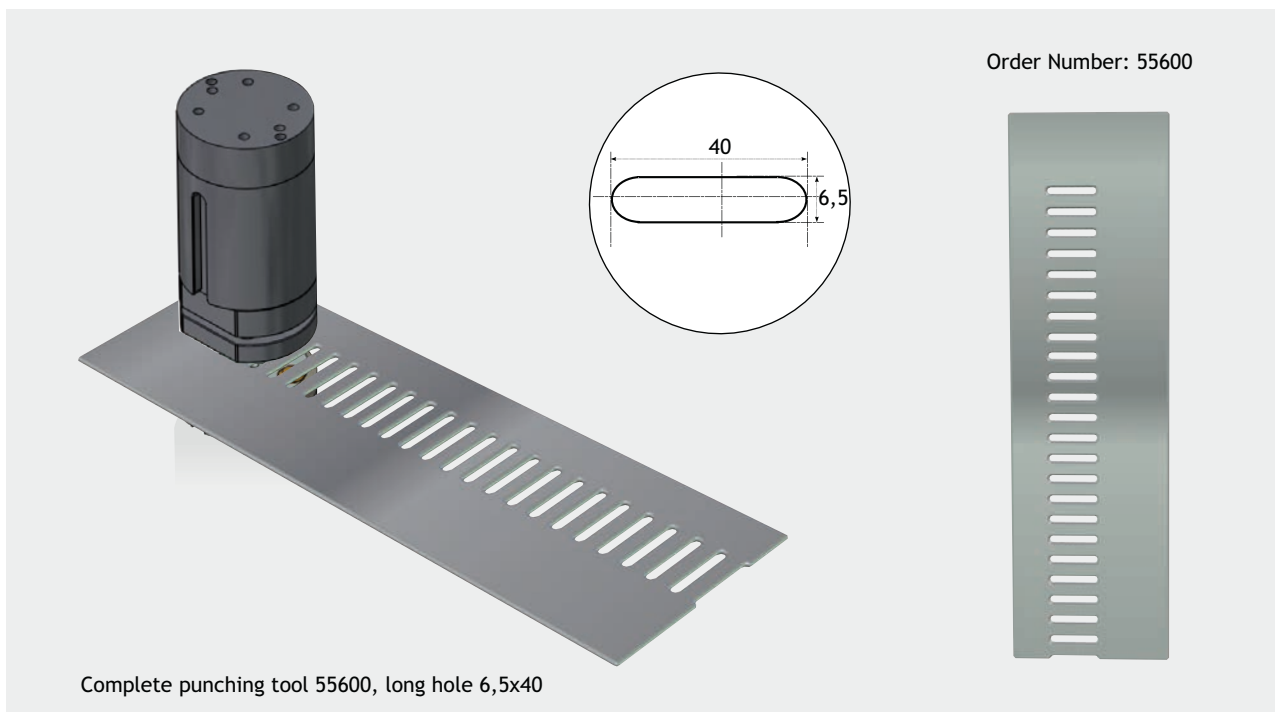
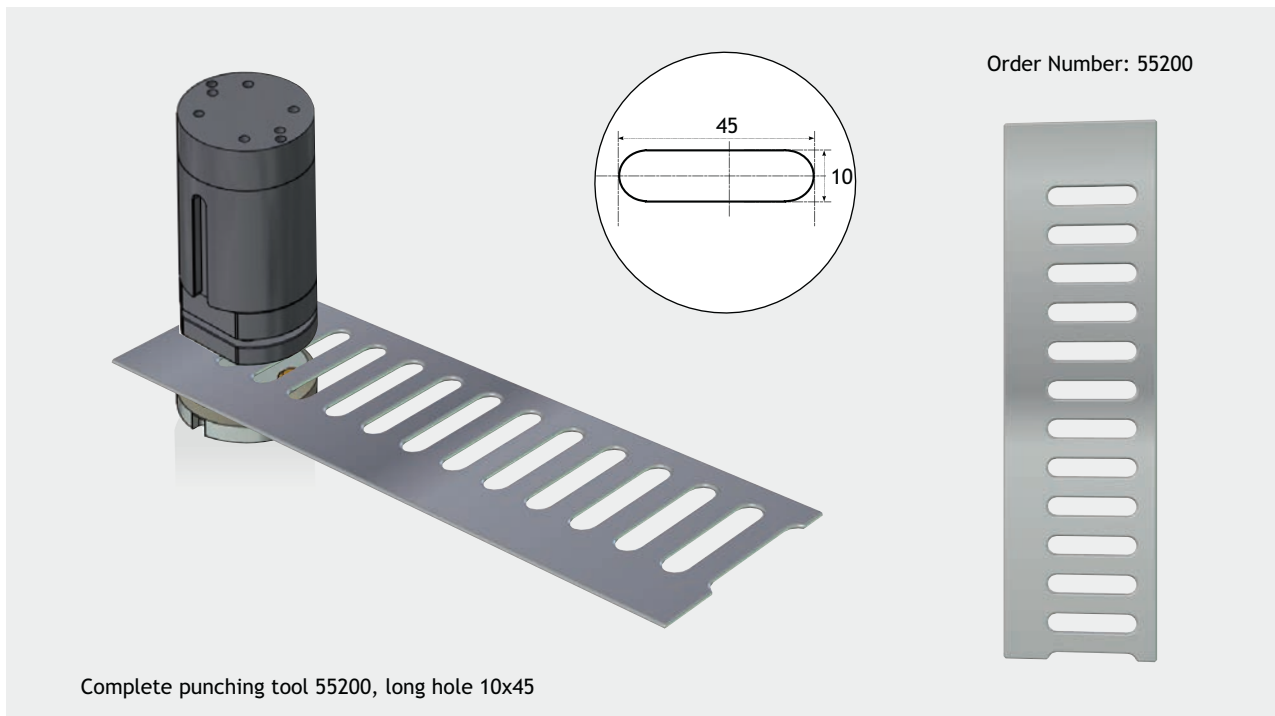
AXECO EcoCut Punching Machine
Validity: 01.01.2022 - 31.12.2022



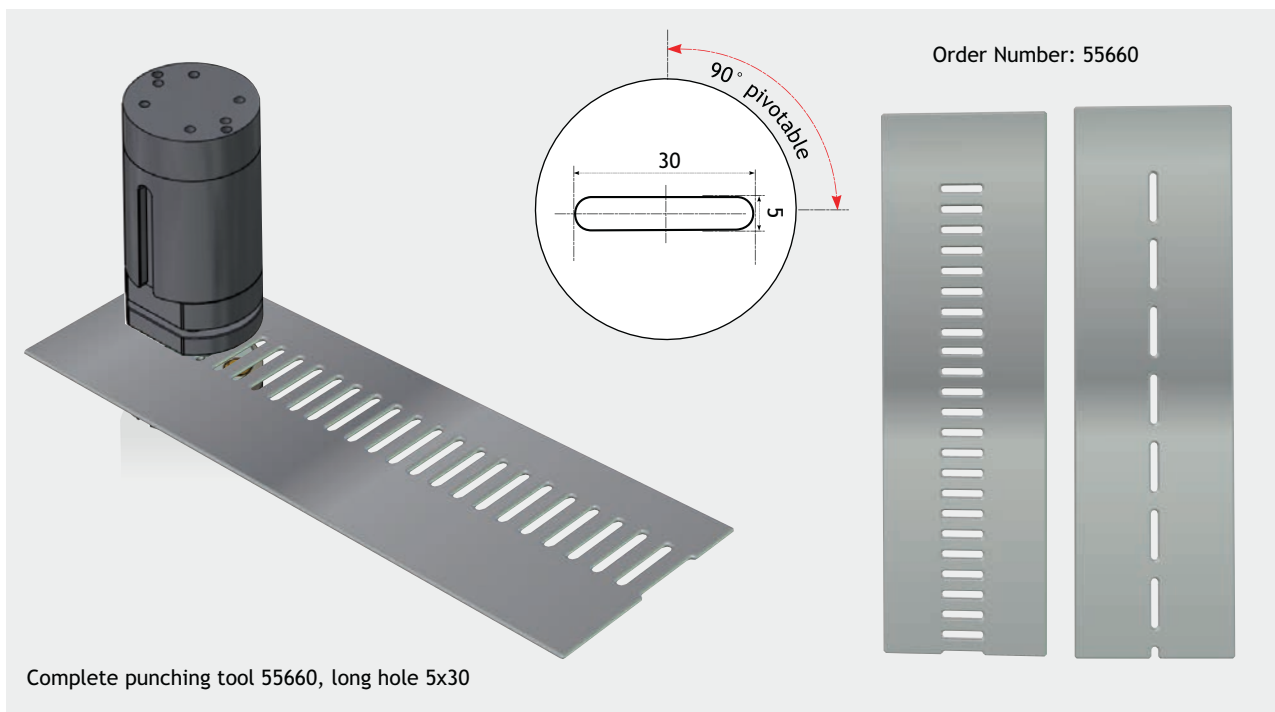
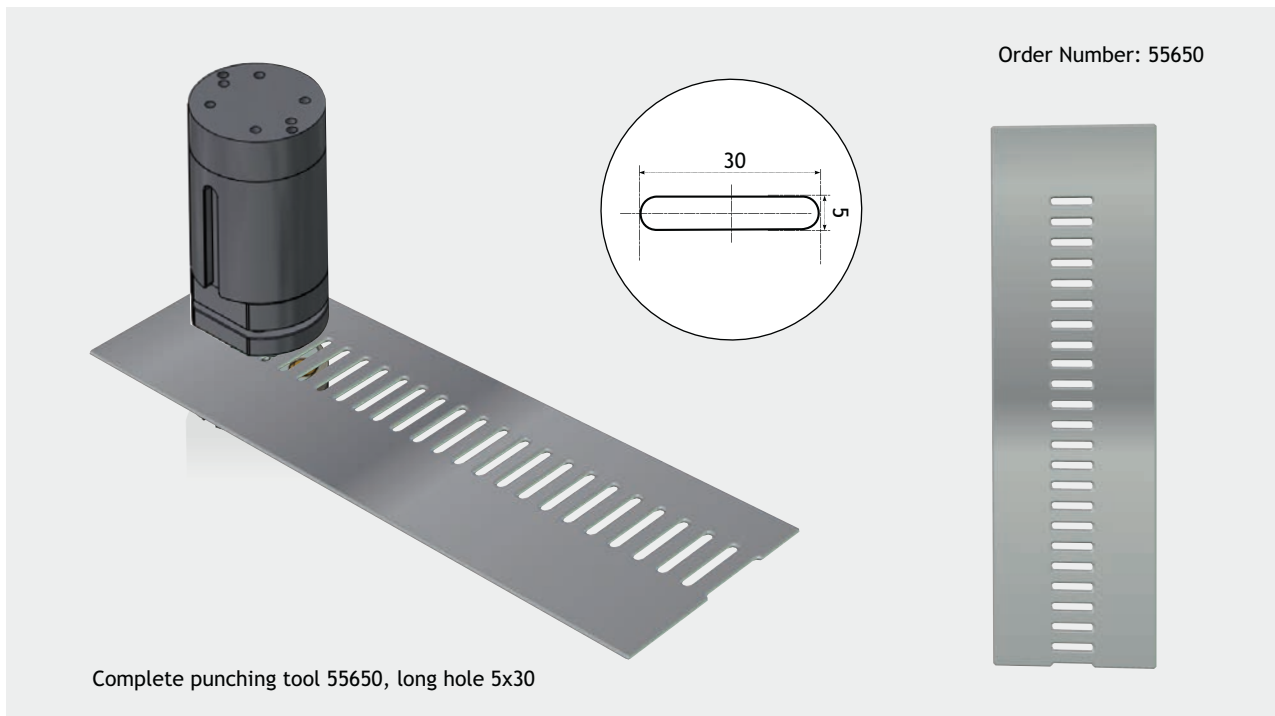
Long Hole Punching Tools



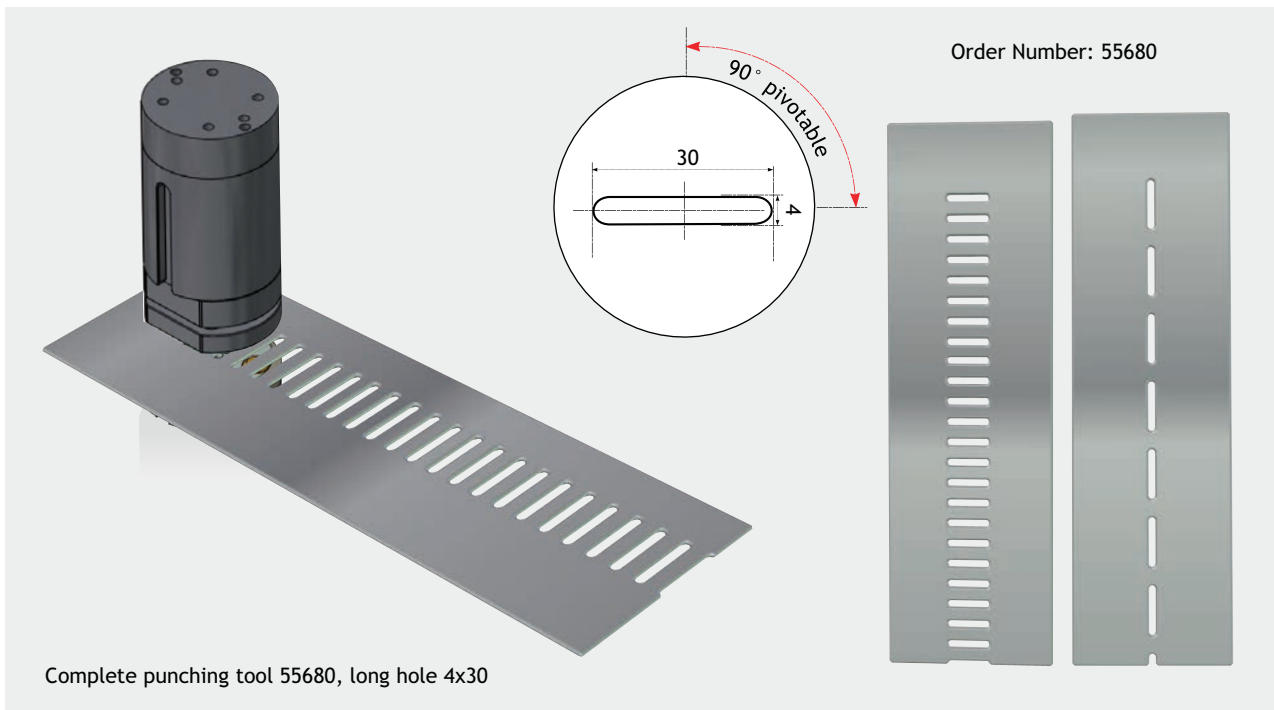
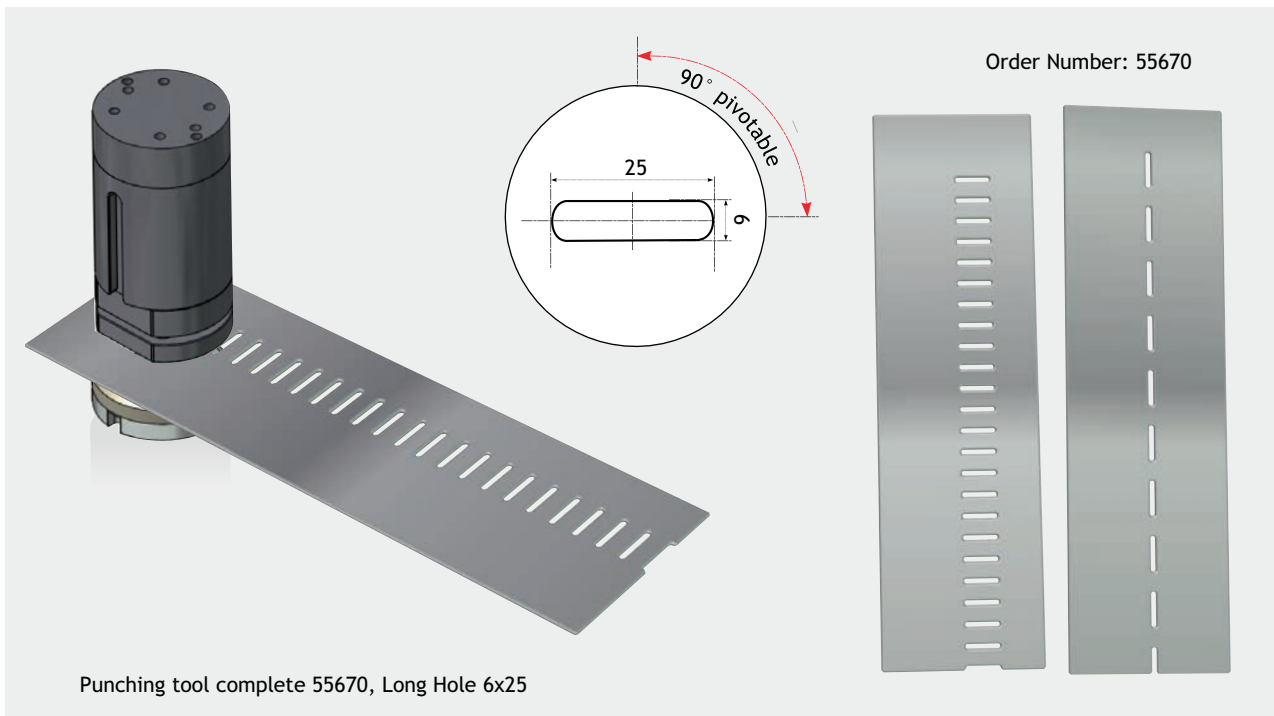
Long Hole Punching Tools



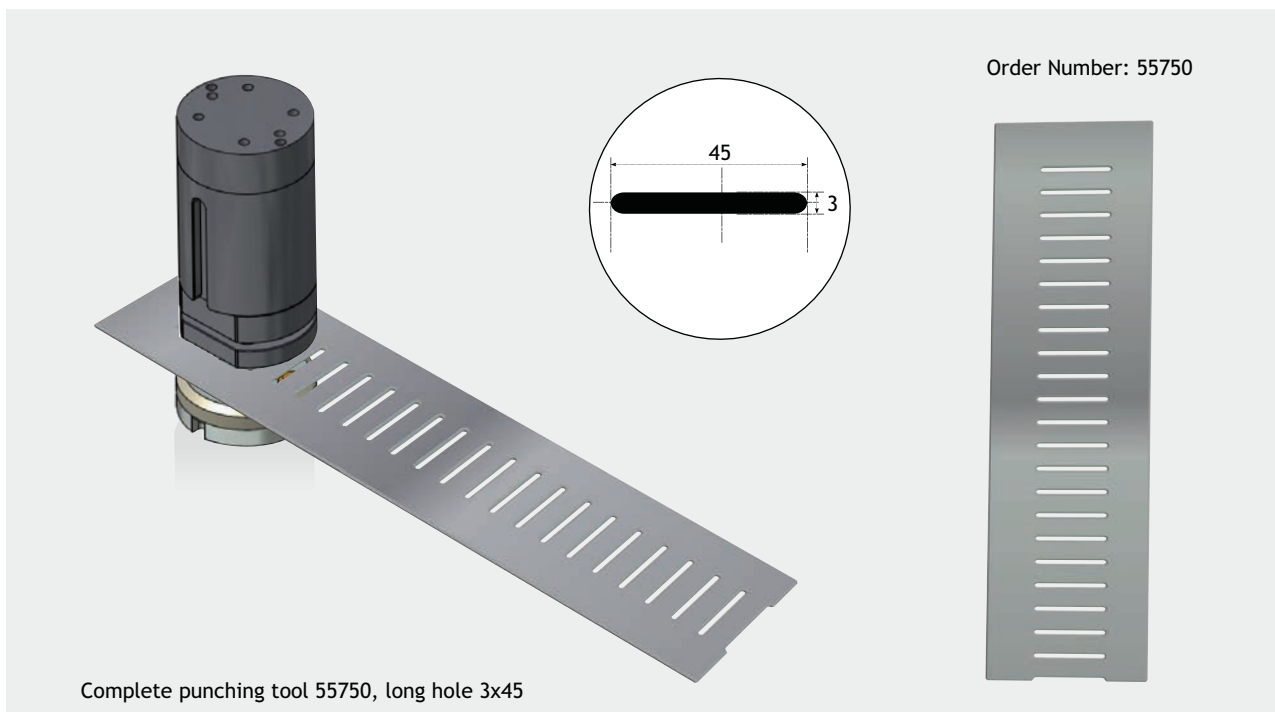
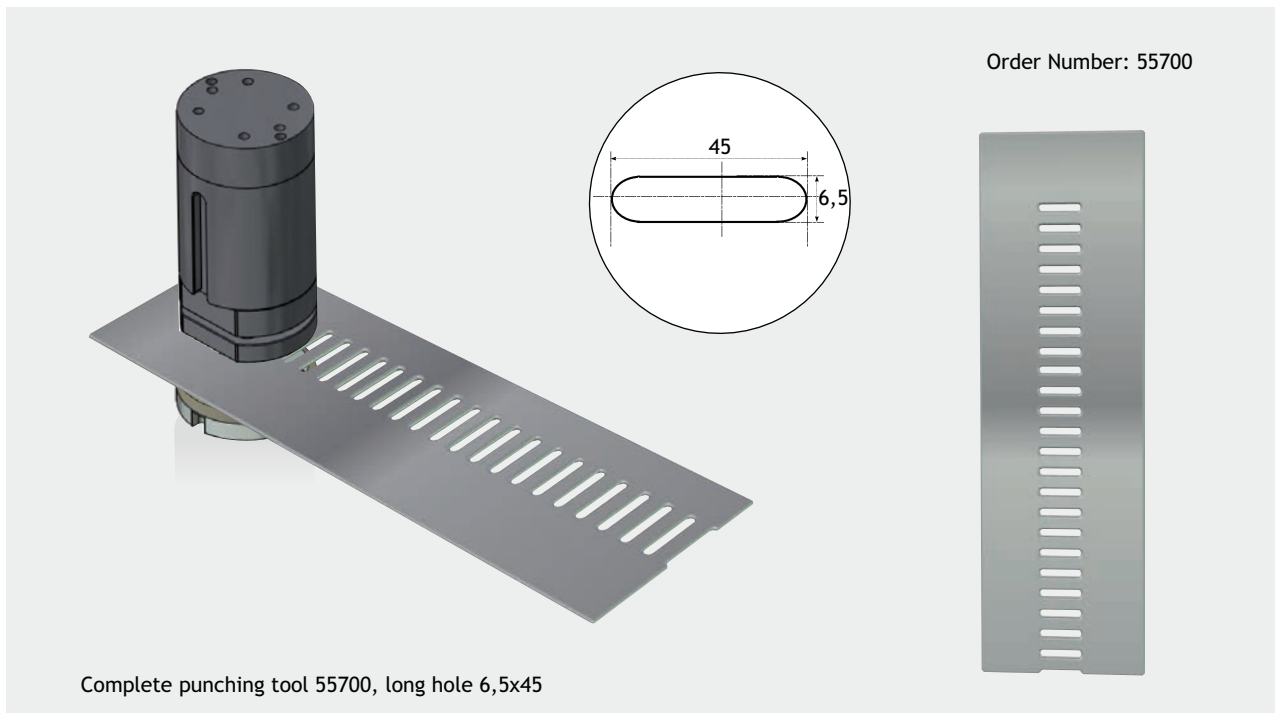
Long Hole Punching Tools



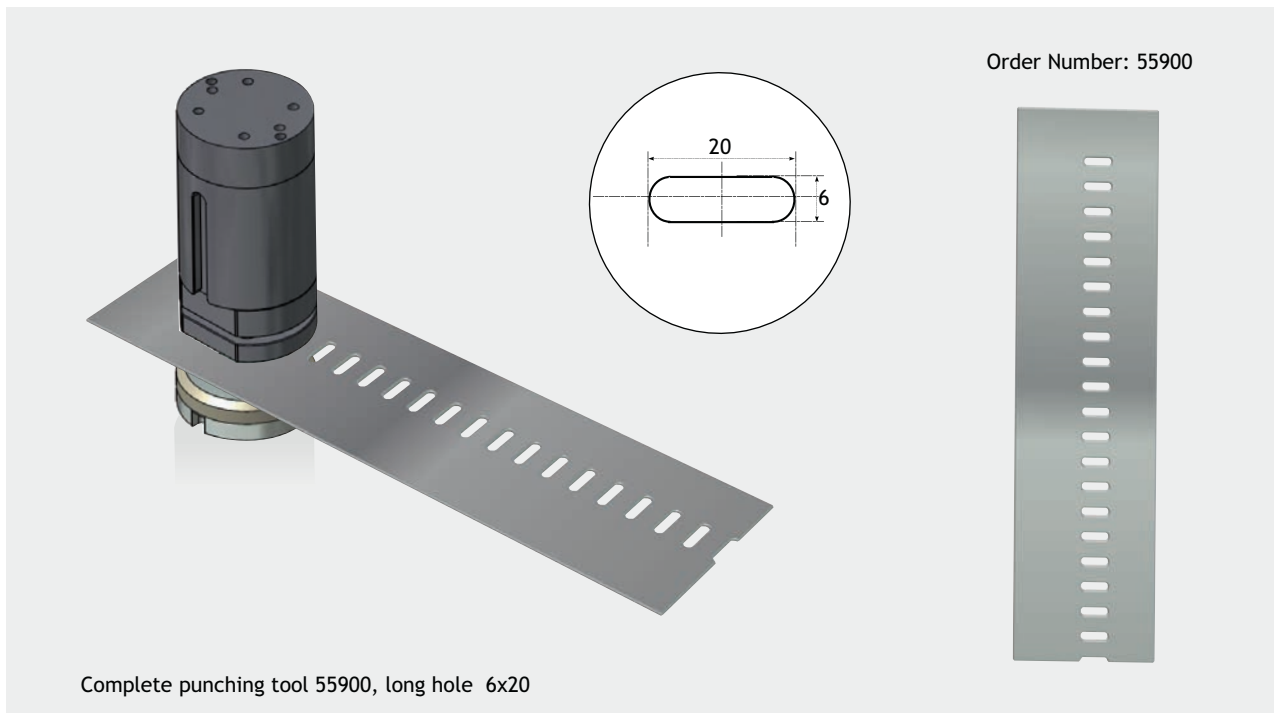
Long Hole Punching Tools



Long Hole Punching Tools

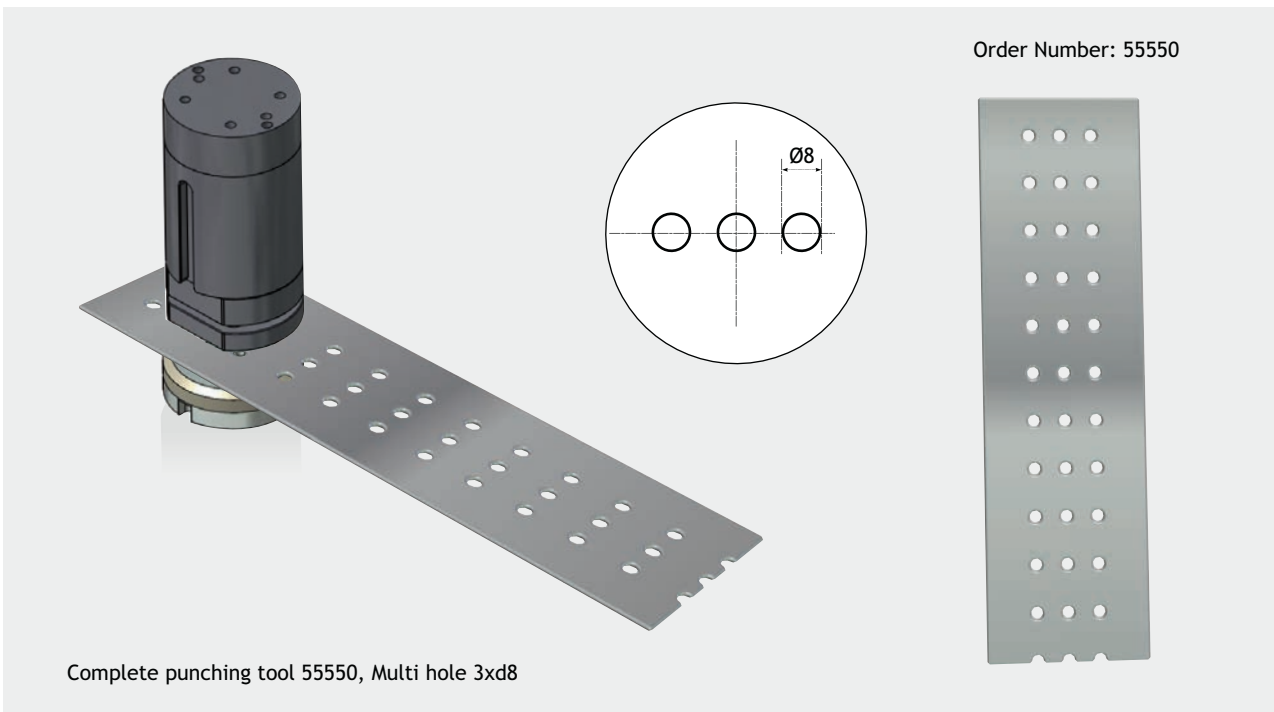
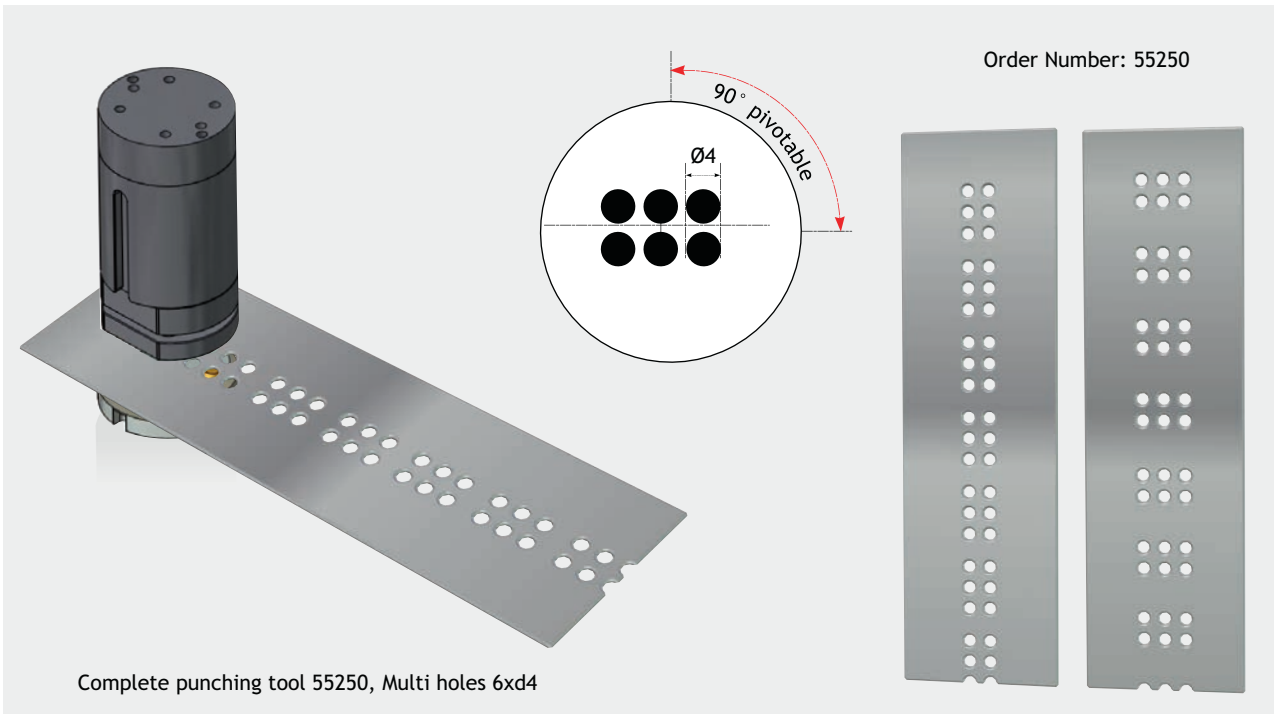


Long Hole Punching Tools

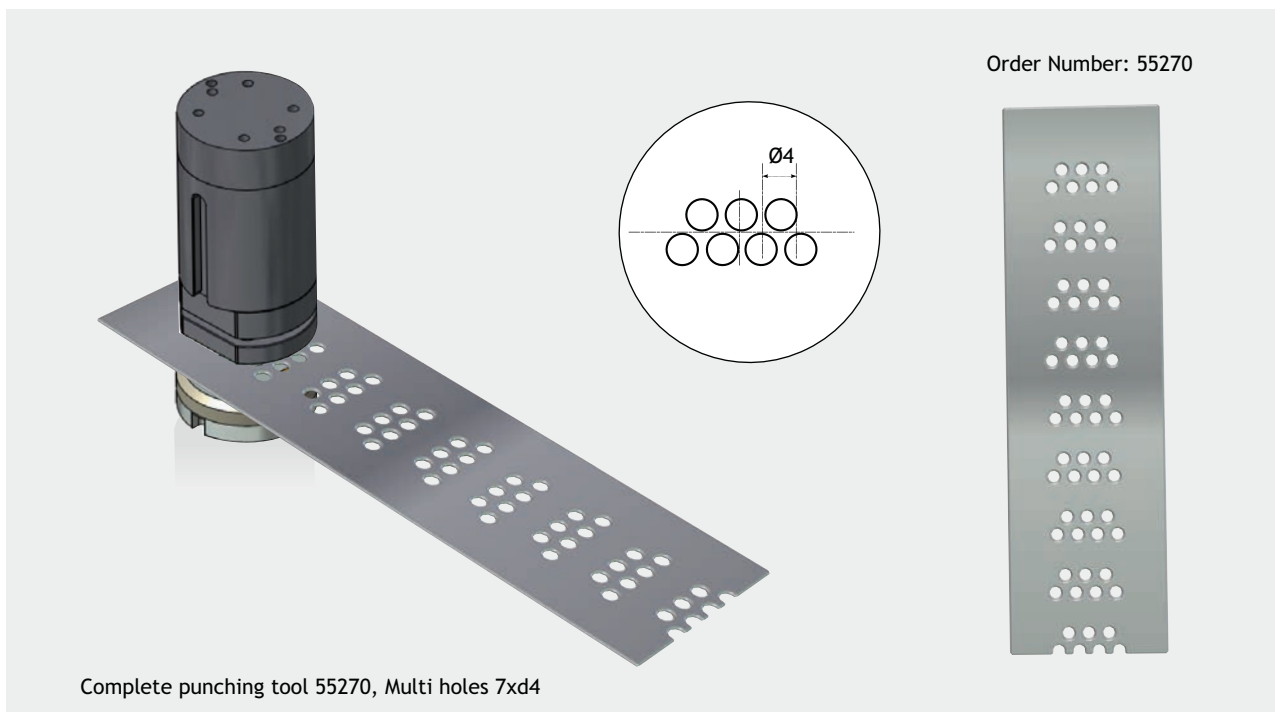
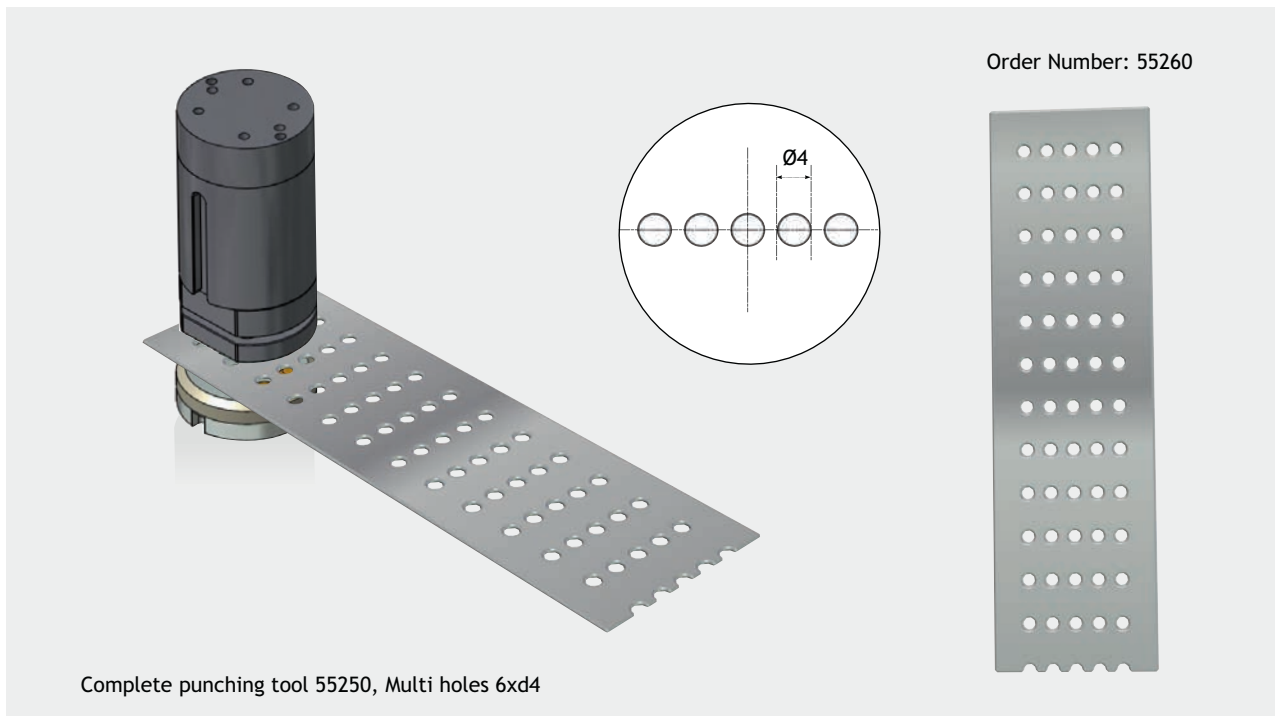


For rows of holes or special shapes outside of these standard tools, please ask us.

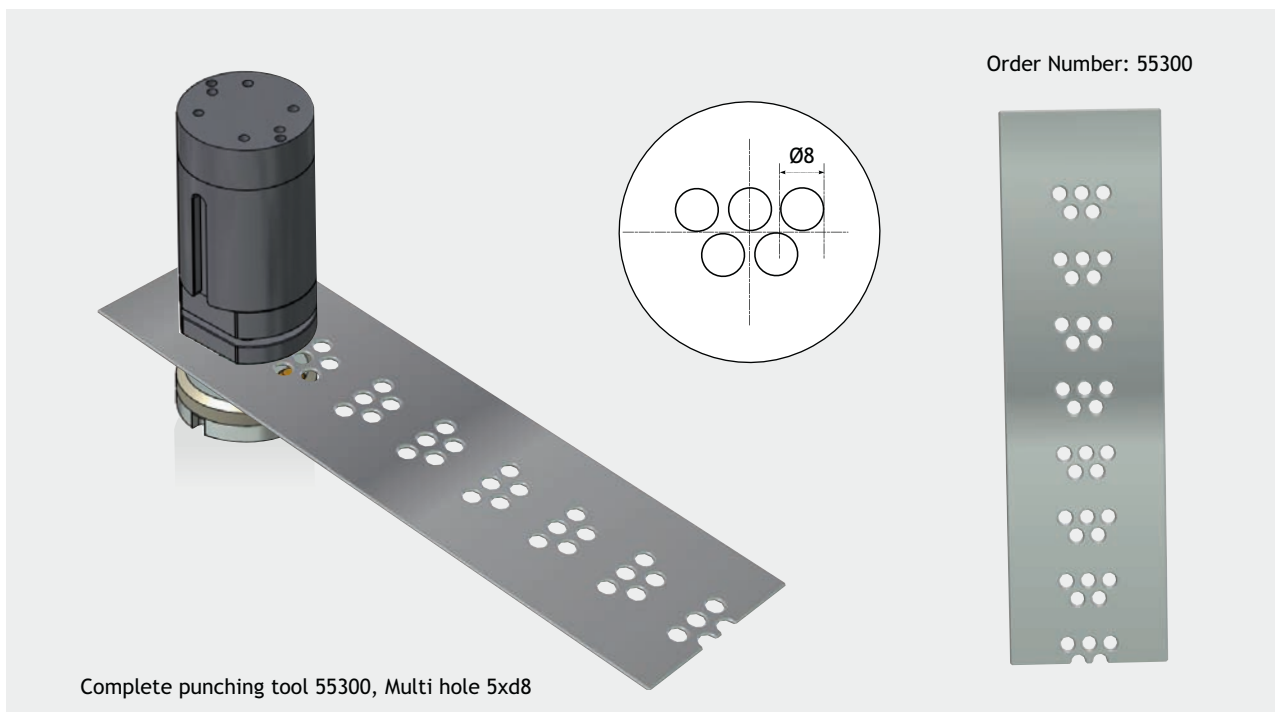
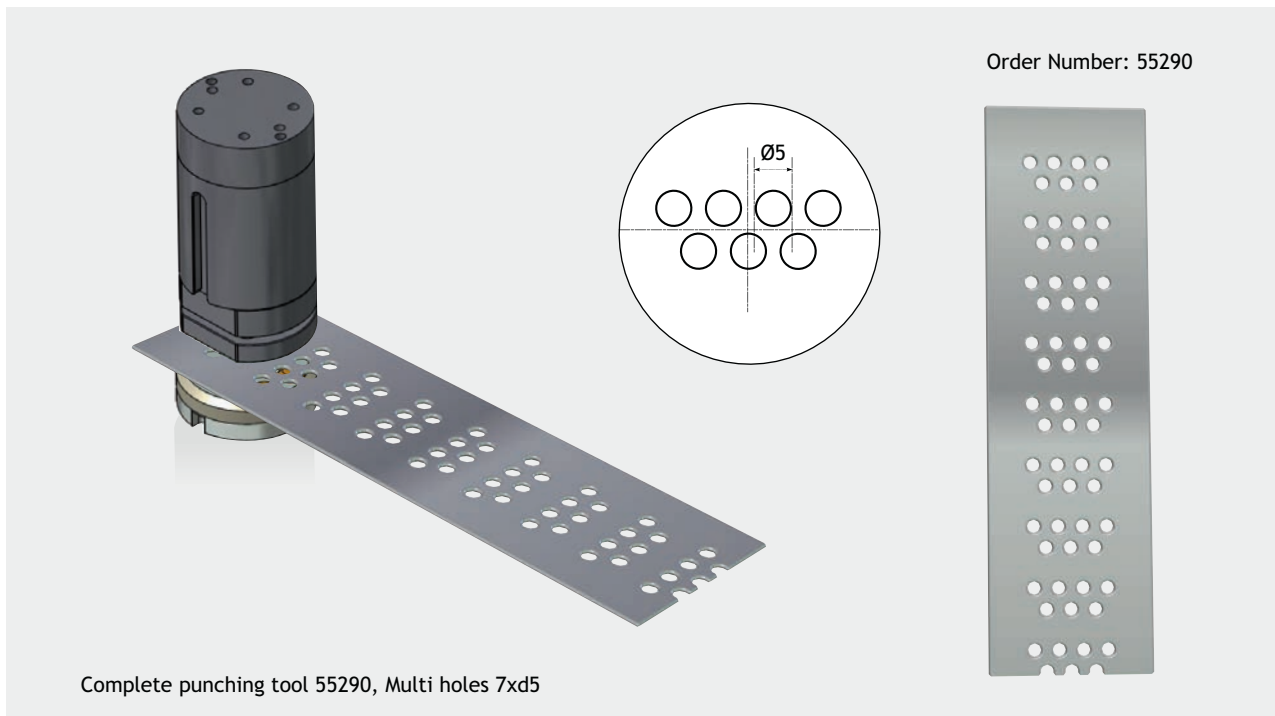
Round Hole Punching Tools



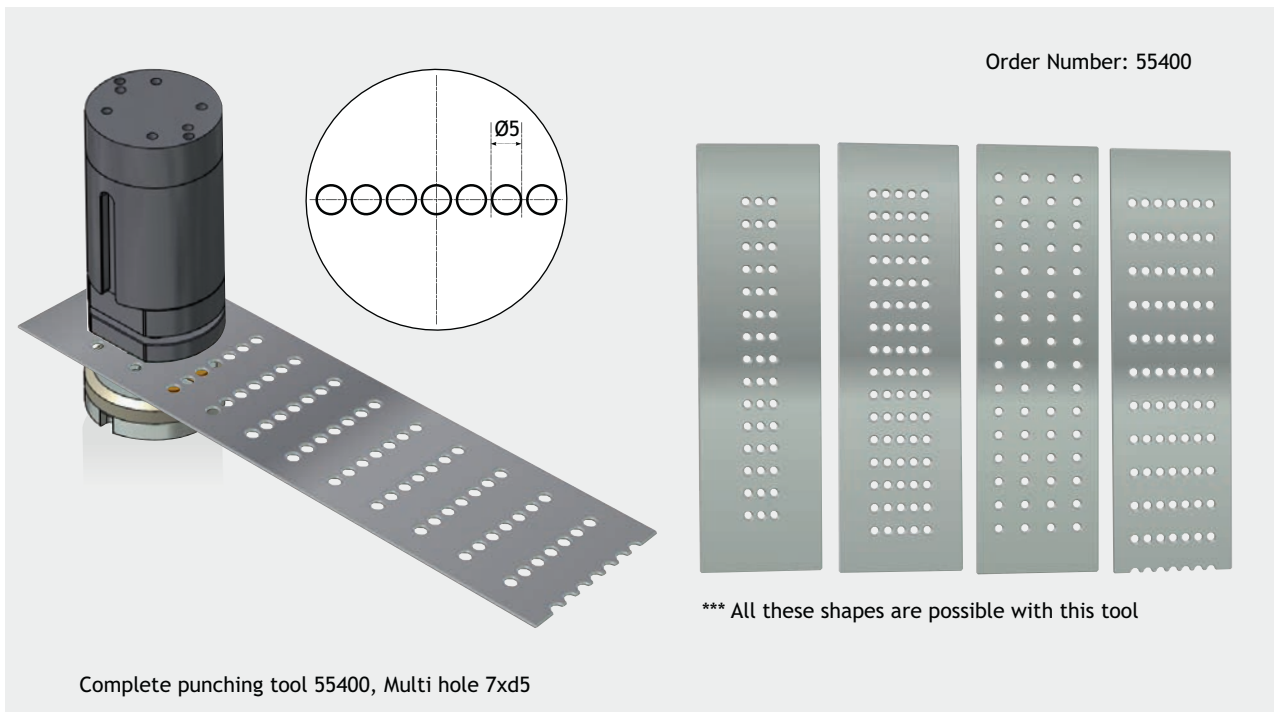
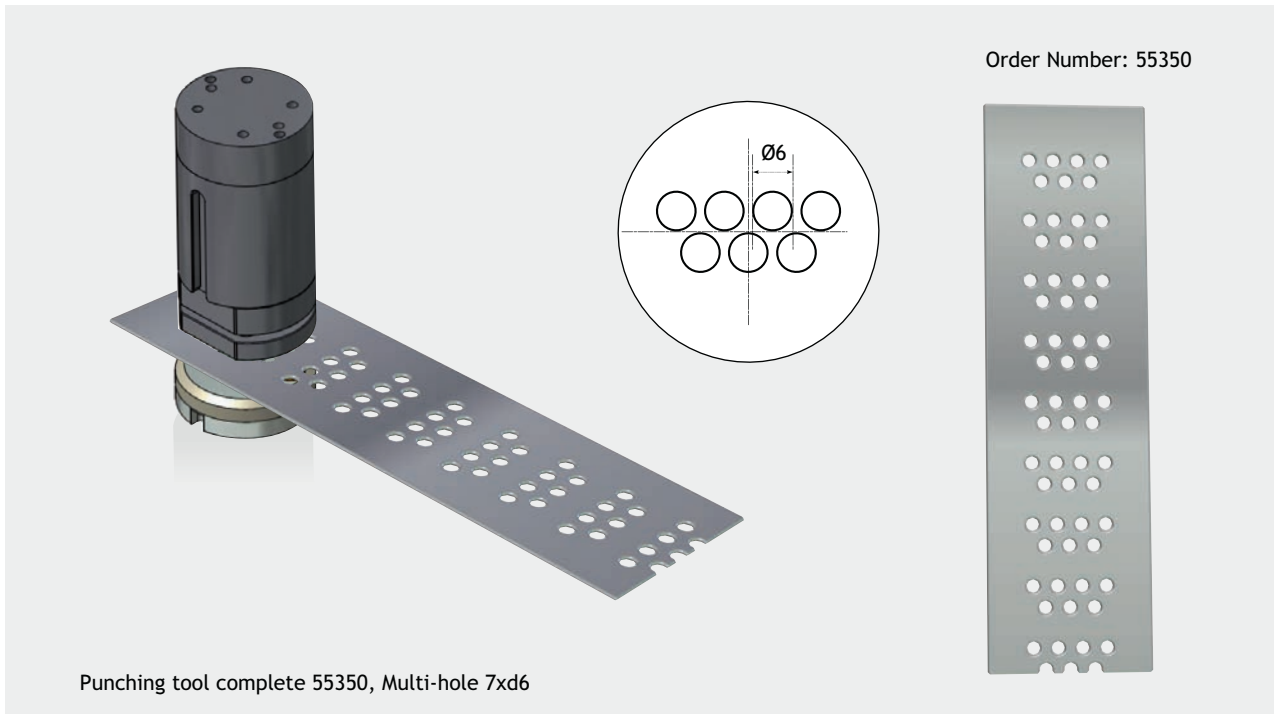
Round Hole Punching Tools



Round Hole Punching Tools



Round Hole Punching Tools



Our punching tools are compatible with all our punching machine versions.

